

FEATURES :

- 7PIN SIP Package
- High Efficiency up to 82%
- Output Continuous Short Circuit Protection
- Unregulated Output Types
- Internal SMD Construction
- 1KVDC & 1.5KVDC Isolation
- Industry Standard Pinout
- Operating Temperature:-40°C to +105°C

Specifications typical at TA=25°C, nominal input voltage and rated output current unless otherwise specified

Part Number	Output Voltage	Output Current	Ripple & Noise (mVp-p)		Efficiency	Package Style
	Vdc	mA	Typ	Max	%Typ	
14DB-05S05N (1.5KV)	5	200	60	100	80	1
14DB-05S09N (1.5KV)	9	112	60	100	80	1
14DB-05S12N (1.5KV)	12	84	60	100	80	1
14DB-05S15N (1.5KV)	15	67	60	100	80	1
14DB-12S05N (1.5KV)	5	200	60	100	80	1
14DB-12S09N (1.5KV)	9	112	60	100	80	1
14DB-12S12N (1.5KV)	12	84	60	100	82	1
14DB-12S15N (1.5KV)	15	67	60	100	81	1
14DB-15S05N2 (1.5KV)	5	200	60	100	78	2
14DB-15S09N2 (1.5KV)	9	112	60	100	79	2
14DB-15S12N2 (1.5KV)	12	84	60	100	79	2
14DB-15S15N2 (1.5KV)	15	67	60	100	79	2
14DB-24S05N2 (1.5KV)	5	200	60	100	77	2
14DB-24S09N2 (1.5KV)	9	112	60	100	79	2
14DB-24S12N2 (1.5KV)	12	84	60	100	79	2
14DB-24S15N2 (1.5KV)	15	67	60	100	79	2
14DB-24S24N2 (1.5KV)	24	42	60	100	81	2
14DB-05D05N (1.5KV)	±5	±100	60	120	80	1
14DB-05D09N (1.5KV)	±9	±56	60	120	80	1
14DB-05D12N (1.5KV)	±12	±42	60	120	80	1
14DB-05D15N (1.5KV)	±15	±34	60	120	80	1
14DB-12D05N (1.5KV)	±5	±100	60	120	80	1
14DB-12D09N (1.5KV)	±9	±56	60	120	80	1
14DB-12D12N (1.5KV)	±12	±42	60	120	82	1
14DB-12D15N (1.5KV)	±15	±34	60	120	81	1
14DB-15D05N2 (1.5KV)	±5	±100	60	120	78	2
14DB-15D09N2 (1.5KV)	±9	±56	60	120	78	2
14DB-15D12N2 (1.5KV)	±12	±42	60	120	78	2
14DB-15D15N2 (1.5KV)	±15	±34	60	120	78	2
14DB-24D05N2 (1.5KV)	±5	±100	60	120	78	2
14DB-24D09N2 (1.5KV)	±9	±56	60	120	79	2
14DB-24D12N2 (1.5KV)	±12	±42	60	120	79	2
14DB-24D15N2 (1.5KV)	±15	±34	60	120	78	2

NOTE :

No suffix is standard isolation (1KVDC) e.g, 14DB-05S05N,14DB-15S05N2
 *add suffix /1.5KV for 1.5KVDC isolation, e.g, 14DB-05S05N1.5KV,14DB-15S05N21.5KV

YUAN DEAN SCIENTIFIC



DC-DC Converter

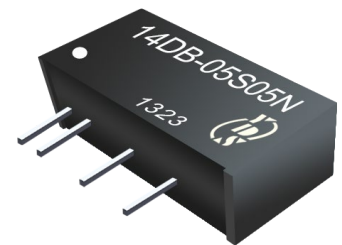
14DB SERIES

1Watt

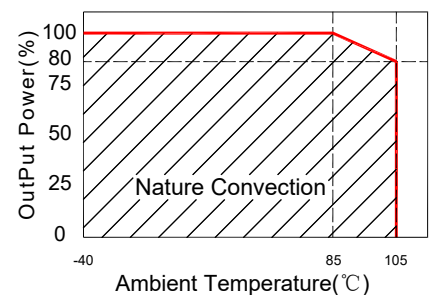
1KV & 1.5KV Isolated

Single & Dual Output

SIP7



Temperature Derating Graph



www.yds.com.tw



TEL : 886-6-3842899 FAX : 886-6-3843288
 E-MAIL : ydsweb@yds.com.tw

Rev:1 2017/8/11

Input Specifications

Parameters	Conditions	Min	Typ	Max	Units
Voltage Tolerance	Vo, Io Nom			±10	%
Filter	Capacitor				

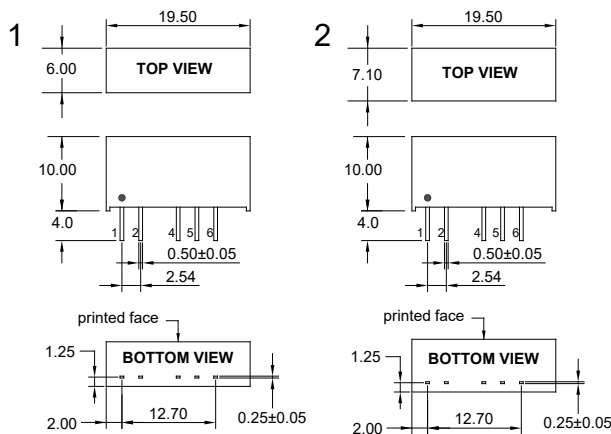
Output Specifications

Parameters	Conditions	Min	Typ	Max	Units
Voltage Tolerance	100% full load			±5	%
Short Circuit Protection	Continuous				
Line Regulation	For 1.0% OF Vin		1.2		%
Load Regulation	5V,9V (10% To 100% F.L)			15	%
Load Regulation	12~24V (10% To 100% F.L)			10	%
Load Regulation	±5V,±9V (10% To 100% F.L)			15	%
Load Regulation	±12~±24V (10% To 100% F.L)			10	%

General Specifications

Parameters	Conditions	Min	Typ	Max	Units
Isolation Resistance	500Vdc	1000			MΩ
Switching Frequency	Full load, nominal input		100		KHz
Operating Temperature		-40		+105	°C
Storage Temperature		-55		+125	°C
Humidity	Non Condensing			95	%
Cooling	Free air Convection				
Case material	DAP				
MTBF	MIL-HDBK-217F@25°C	3500000			Hours
Weight	Package1 or Package2		2.1 or 2.7		g
Dimensions	Package1 or Package2	19.5x6.0x10.0 or 19.5x7.1x10.0			mm

Markings and Dimensions



Unit : mm Unless otherwise specified, all tolerances are ±0.25

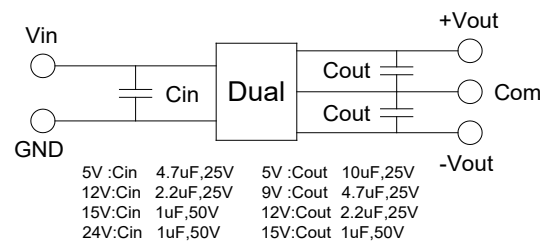
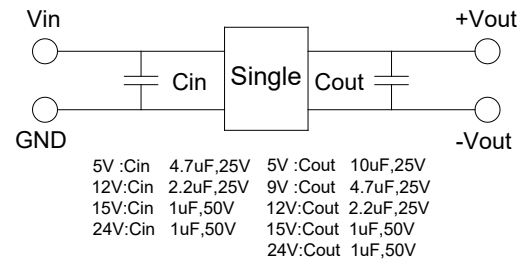
Part Number

14DB - 05	S	05	N	2	14DB - 24	S	24	N	2	1.5KV		
A	B	C	D	E	F	A	B	C	D	E	F	G

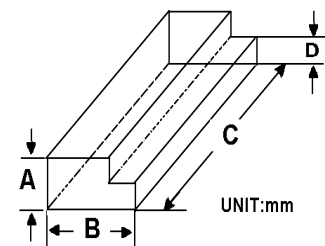
A:Series
B:Input Voltage
C:Single(S)Dual(D)
D:Output Voltage
E:Unregulated(N)
F:Package

A:Series
B:Input Voltage
C:Single(S) Dual(D)
D:Output Voltage
E:Unregulated(N)
F:Package
G:Isolation Voltage

Recommended Test Circuit



Packaging



Size(mm)			
A	B	C	D
9.50	16.50	522	5.00

PIN Connection

PIN	1	2	4	5	6
Single	+Vin	-Vin	-Vout	No Pin	+Vout
Dual	+Vin	-Vin	-Vout	Com	+Vout