

## FEATURES:

- Return loss meets requirements
- Fast rise time compatible with standards
- Through hole and surface mount packages available
- Models with 1500Vrms isolation and 3000Vrms reinforced insulation per BABT EN41003/EN60950
- Recognized by UL 60950-1

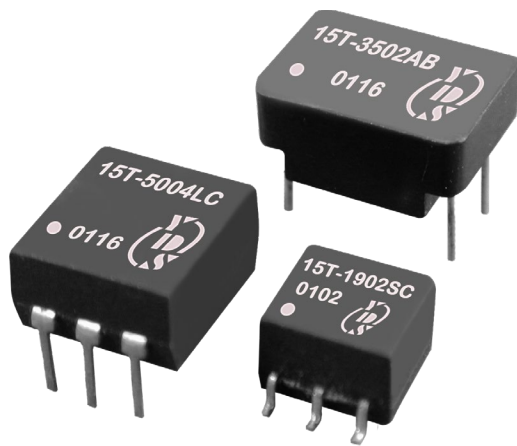
YUAN DEAN SCIENTIFIC



T3/DS3/E3/STS-1  
Transformers

15T SERIES

1.5KVrms Isolated



Electrical Specifications@25°C-Operating Temperature -40°C to +85°C

Part Number	Turns Ratio (±2%)	OCL Primary (mH Min)	OCL AT -40°C (mH Min)	LL (uH Max)	Cw/w (pF Max)	Isolation Voltage (Vrms Min)	Package Schematic	Primary Pins
15T-1011XENL	1:1	100	40	0.110	10	1500	X/E SMT	1-3
15T-4002XCNL	1:2CT	40	19	0.110	12	1500	X/C SMT	4-6
15T-1011SENL	1:1	100	40	0.110	10	1500	S/E SMT	4-6
15T-4002SCNL	1:2CT	40	19	0.110	12	1500	S/C SMT	4-6
15T-4003XFNL	1CT:1CT	40	19	0.100	10	1500	X/F SMT	1-5
15T-4004XCNL	1:1.155CT	40	20	0.150	12	1500	X/C SMT	4-6

[www.yds.com.tw](http://www.yds.com.tw)

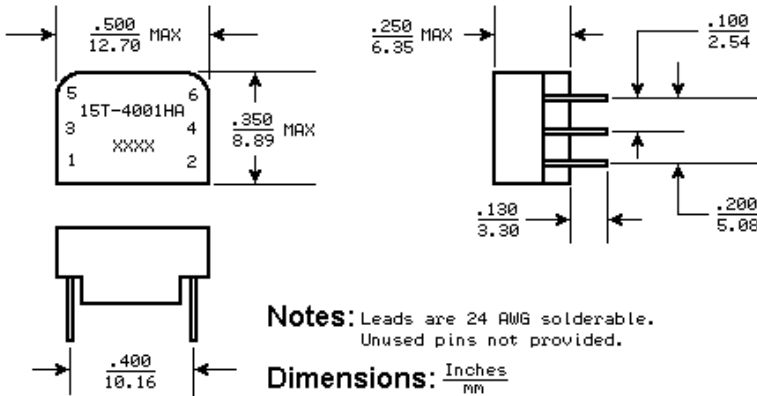


TEL: 886-6-3842899 FAX: 886-6-3843288

E-MAIL: [ydsweb@yds.com.tw](mailto:ydsweb@yds.com.tw)

Rev: 0 2018/07/02

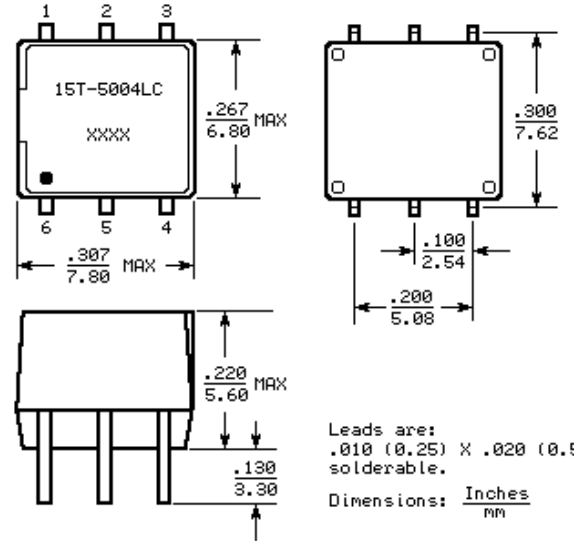
Mechanicals and Dimensions



**Notes:** Leads are 24 AWG solderable. Unused pins not provided.

**Dimensions:**  $\frac{\text{Inches}}{\text{mm}}$

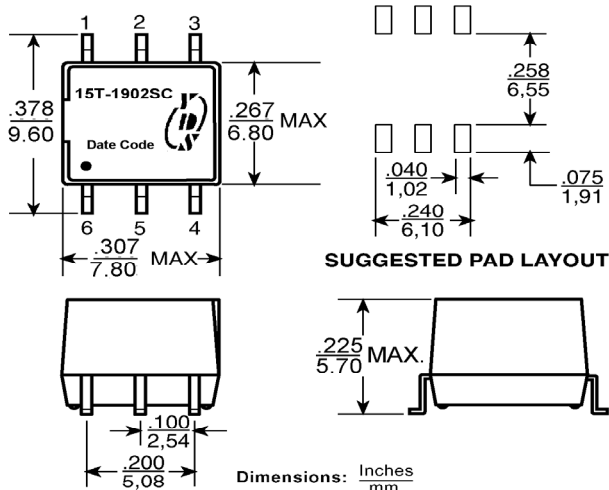
Unless otherwise specified all tolerances are  $\pm \frac{.010}{0.25}$



Leads are: .010 (0.25) X .020 (0.51) solderable.

**Dimensions:**  $\frac{\text{Inches}}{\text{mm}}$

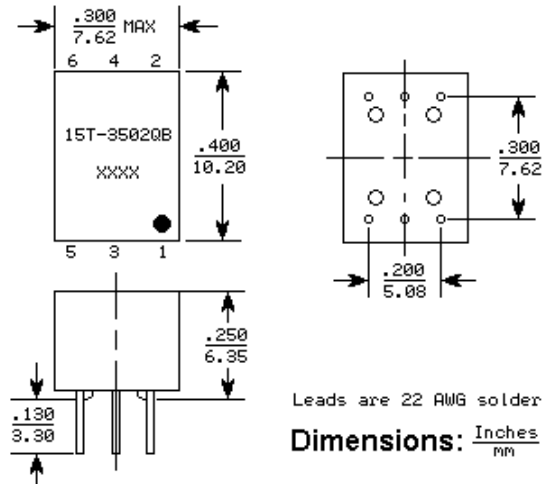
Unless otherwise specified all tolerances are  $\pm \frac{.010}{0.25}$



**SUGGESTED PAD LAYOUT**

**Dimensions:**  $\frac{\text{Inches}}{\text{mm}}$

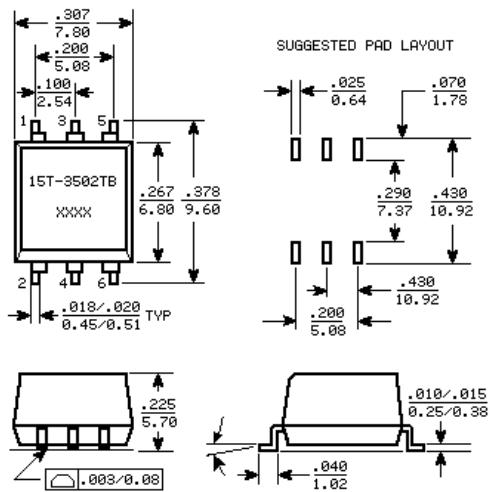
Unless otherwise specified, all tolerances are  $\pm \frac{.010}{0.25}$



Leads are 22 AWG solderable.

**Dimensions:**  $\frac{\text{Inches}}{\text{mm}}$

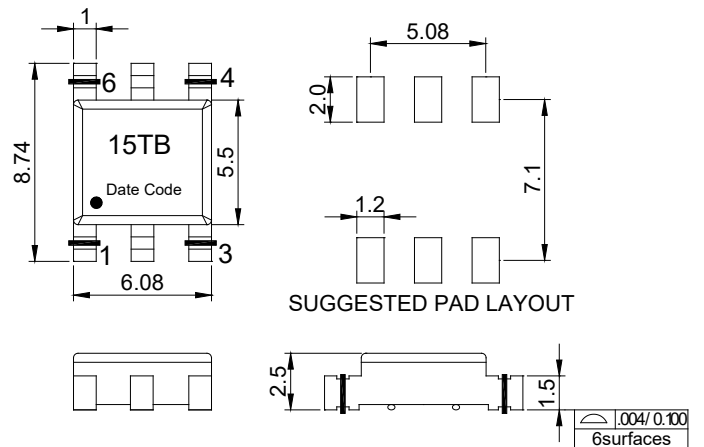
Unless otherwise specified all tolerances are  $\pm \frac{.010}{0.25}$



**SUGGESTED PAD LAYOUT**

**Dimensions:**  $\frac{\text{Inches}}{\text{mm}}$

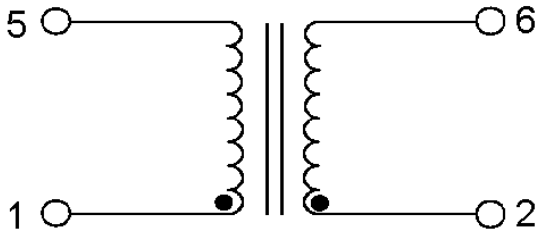
Unless otherwise specified all tolerances are  $\pm \frac{.010}{0.25}$



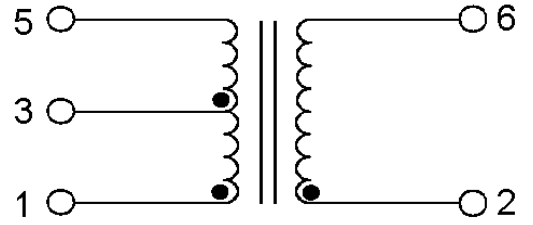
**SUGGESTED PAD LAYOUT**

Schematics

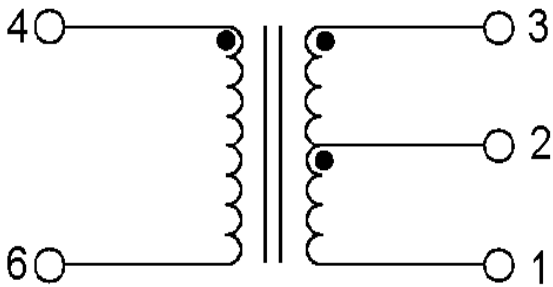
**A**



**B**



**C**



**D**

