

FEATURES :

- Low profile surface mount package
- 235°C peak infrared reflow temperature rating.

YUAN DEAN SCIENTIFIC

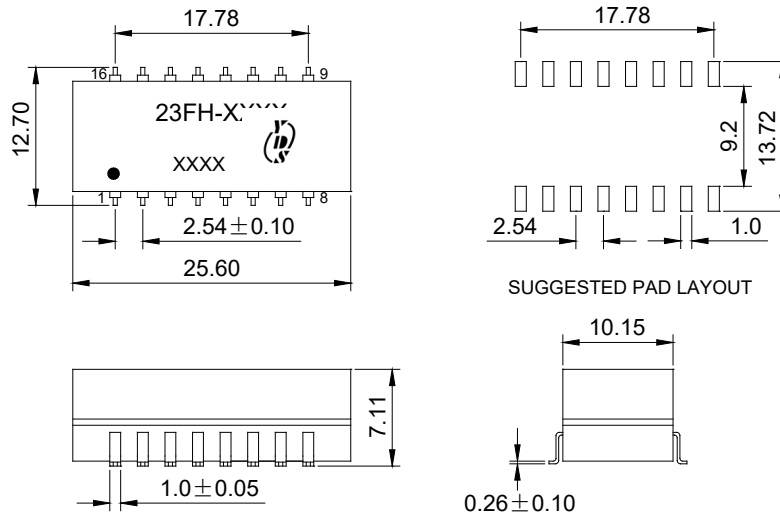
LAN Filters
23FH SERIES10 Base-T
16 PIN
SMD

Electrical Specifications @25°C-Operating Temperature 0°C to +70°C

Part Number	Insertion Loss 1 to 10 MHz (dB Max.)	Attenuation (XMIT) (dB Min.)			Return Loss 5 to 10MHz (dB Min.)		Crosstalk (dB Min.) 5-10 MHz	Common Mode Rejection (dB Min.)					Hi-Pot (Vrms Min.)
		30 MHz	40 MHz	100 MHz	100Ω	98±13Ω		5 MHz	10 MHz	50 MHz	100 MHz	200 MHz	
23FH-02NL	-1.0	-30	-35	-35	-18	-15	-35	-60	-60	-55	-50	-45	1500
23FH-03NL	-6.0	-35	-35	-35	-18	-15	-35	-60	-60	-55	-50	-45	1500
23FH-04NL	-6.5	-35	-35	-35	-18	-15	-35	-60	-60	-55	-50	-45	1500
23FH-05NL	-1.0	-30	-27	-27	-18	-15	-30	-40	-30	-50	-45	-	1500
23FH-06NL	-5.5	-30	-30	-35	-18	-15	-30	-35	-30	-55	-50	-	1500
23FH-07NL	-6.0	-30	-27	-27	-18	-15	-25	-40	-35	-45	-30	-	1500
23FH-08NL	-5.0	-30	-35	-40	-18	-15	-25	-35	-30	-55	-50	-	1500
23FH-09NL	-5.0	-30	-35	-40	-18	-15	-25	-35	-30	-55	-50	-	1500
23FH-10NL	-1.0	-30	-27	-27	-18	-15	-35	-40	-35	-45	-45	-	1500

Part Number	IC Manufacturer	R1	R2	R3	R4	R5	R6	R7
23FH-02NL	Various	N/A	N/A	N/A	N/A	N/A	N/A	N/A
23FH-03NL	AMD	TXD(+)=61.9	TXP(+)=422	TXD(-)=61.9	TXP(-)=422	1.2k	RX(+)=49.9	RX(-)=49.9
23FH-04NL	National	TXOD(-)=274	TXO(+)=66.5	TXO(-)=66.5	TXOD(+)=274	806	RX(+)=49.9	RX(-)=49.9
23FH-06NL	National	348.0	53.6	53.6	348.0	806	49.9	49.9
23FH-07NL	AMD	61.9	422.0	61.9	422.0	1,210	49.9	49.9
23FH-08NL	LSI	390.0	63.4	390	63.4	N/A	49.9	49.9
23FH-09NL	Motorola	39.0	N/A	39	N/A	N/A	49.9	49.9

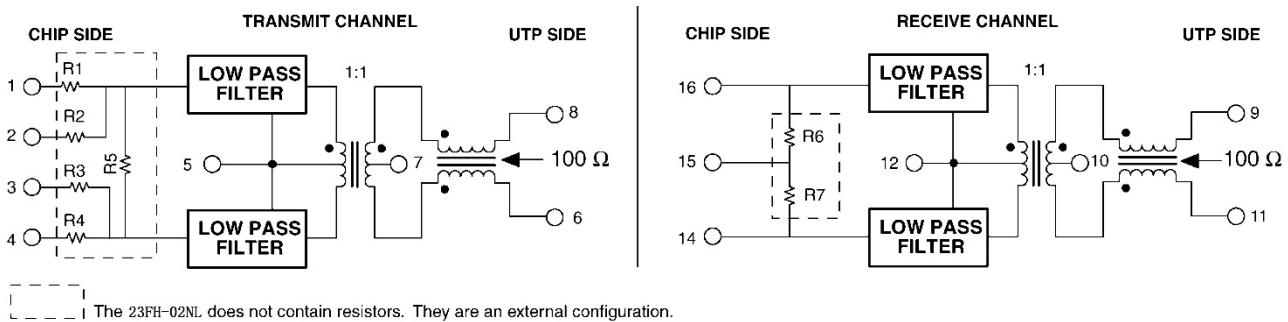
Markings and Dimensions



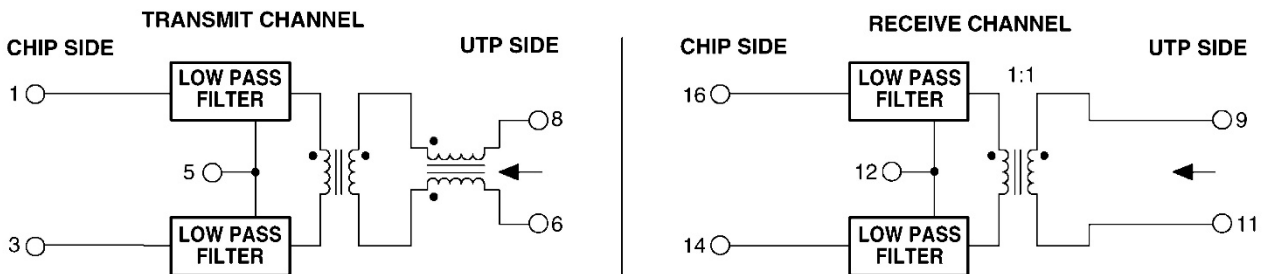
UNIT:mm Unless otherwise specified, all tolerances are ± 0.25

PIN Connection

23FH-02NL,23FH-03NL,23FH-04NL



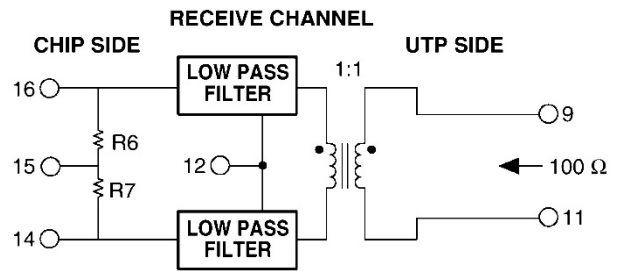
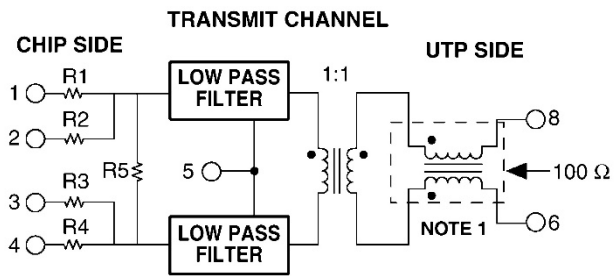
23FH-10NL,23FH-05NL



Turns Ratio for Transmit: 23FH-05NL is 1:1; 23FH-10NL is $1:\sqrt{2}$.

NOTE: The 23FH-05NL is designed for use with most transceivers requiring a turns ratio of 1:1 on transmit. The 23FH-10NL is designed for use with DEC and most other transceivers requiring a turns ratio of $1:\sqrt{2}$ on transmit.

23FH-06NL, 23FH-07NL, 23FH-08NL, 23FH-09NL



Note: Common Mode Choke on transmit channel for 23FH-06NL, 23FH-07NL, 23FH-08NL