

**FEATURES:**

- Designed to meet or exceed IEEE 802.3, 10Base-T specifications
- Surface mount , IC grade, transfer-molded package withstands 235°C peak temperature profile
- Recognized by UL 1950

YUAN DEAN SCIENTIFIC

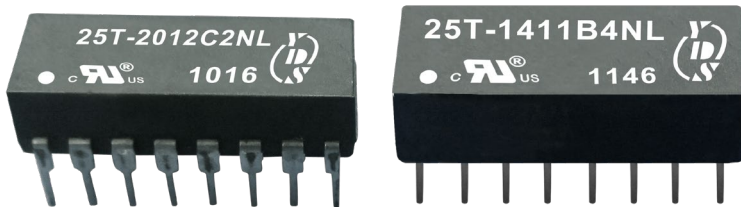


Transformers

25T SERIES

10 Base-T

Isolated

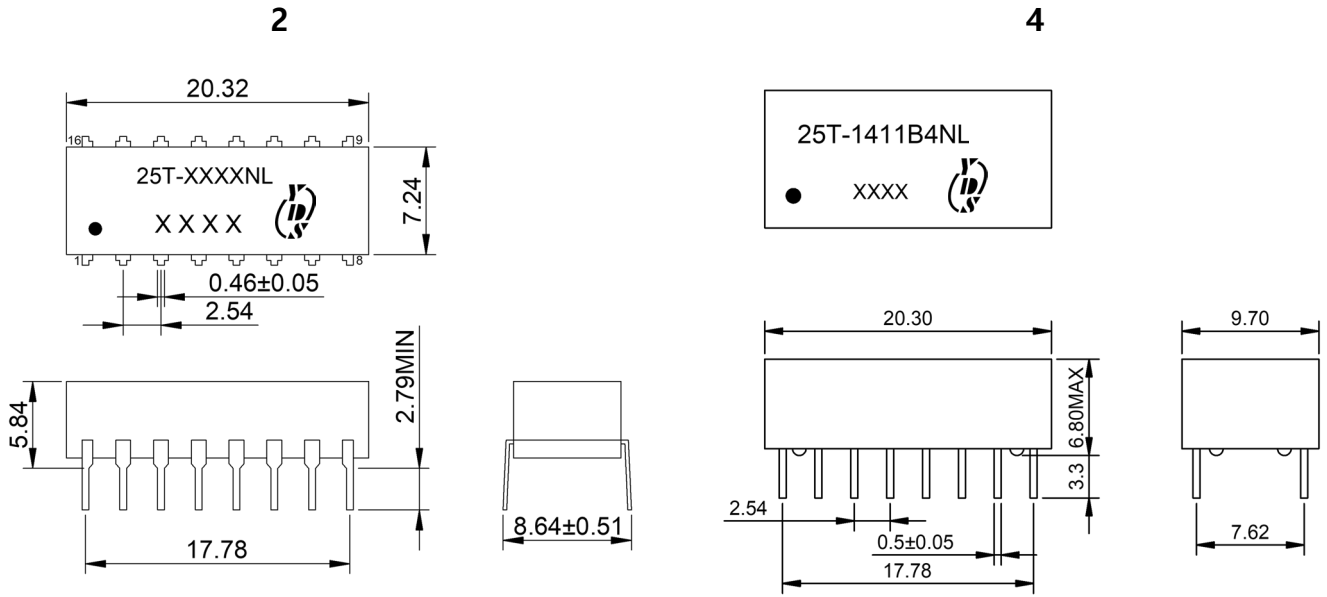


**Electrical Specifications@25°C-Operating Temperature 0°C to 70°C**

Part Number	Tums Ratio (±5%)		Primary Pins	Sine Wave Inductance OCL' (µH MIN)	Interwinding Capacitance CWW' (pF MAX)	Leakage Inductance LL' (µH MAX)	DCR (ΩMAX)	HI-Pot (Vrms)	Schem.	mech.
	Transmit	Receive								
25T-2012C2NL	1CT:1CT	1CT:1CT	1-3/6-8	200	15	0.3	0.7	1500	C	2
25T-1411B4NL	1:1	1:1	1-2/-3-4/5-6/7-8/	140	17	0.6	0.5	600	B	4



Mechanicals and Dimensions



Schematics

