

## FEATURES:

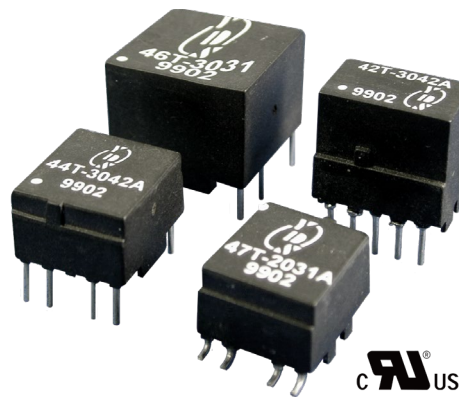
- The pulse masks are easily realized due to adjusted leakage inductances
- Optimum common mode rejection of the output signal due to low coupling capacitances
- The impedance masks are reliably fulfilled even during DC pre magnetization
- High DC capability, therefore phantom power feeding is unproblematic
- Recognized by UL 60950-1 (47T/47TS)

YUAN DEAN SCIENTIFIC



ISDN-S0 Interface  
Isolation  
Transformers

42T/44T/46T  
/47T/47TS  
SERIES



## Electrical Specifications

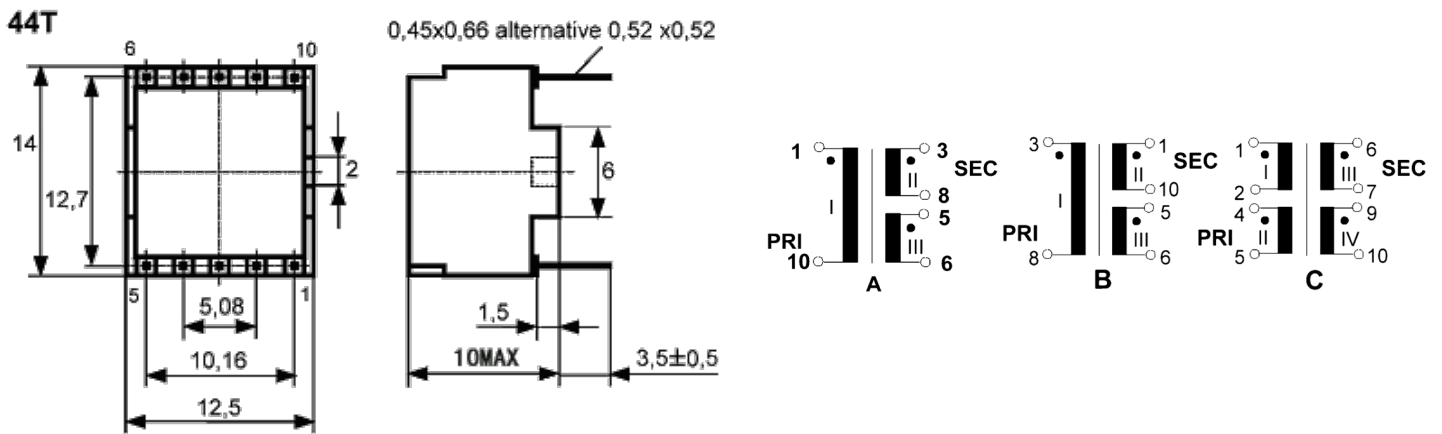
Part Number	Turns Ratio	$\Delta I_{DC}$	$L_H$ MH min.	$L_S$ $\mu H$ max	$C_K$ $\mu F$ max	$C_W$ $\mu F$ max	$R_{CU,B}$ $\Omega$	$R_{CU,L}$ $\Omega$	$U_P$ KV <sub>eff</sub> /KV <sub>rms</sub>	schematic
44T-3036BNL	4:1:1	3	$\geq 30$	$\leq 3$	$\leq 45$	30	3,8	1,2	1,5	B
44T-3032CNL	2:2:1:1	5	$\geq 30$	$\leq 5$	$\leq 140$	110	5,0	1,6	1,5	C
44T-3031CNL	1:1:1:1	5	$\geq 30$	$\leq 5$	$\leq 120$	30	1,6	1,6	1,5	C
44T-3033CNL	1,8:1,8:1:1	5	$\geq 30$	$\leq 5$	$\leq 120$	80	4,0	1,6	1,5	C
44T-3034CNL	2,5:2,5:1:1	5	$\geq 30$	$\leq 7$	$\leq 140$	200	6,0	1,6	1,5	C
42T-3036ANL	4:1:1	3	$\geq 30$	$\leq 3$	$\leq 45$	30	3,8	1,2	1,5	A
42T-3032CNL	2:2:1:1	5	$\geq 30$	$\leq 5$	$\leq 120$	110	5,0	1,6	1,5	C
42T-3031CNL	1:1:1:1	5	$\geq 30$	$\leq 5$	$\leq 120$	30	1,6	1,6	1,5	C
42T-3033CNL	1,8:1,8:1:1	5	$\geq 30$	$\leq 5$	$\leq 120$	80	4,0	1,6	1,5	C
42T-3034CNL	2,5:2,5:1:1	5	$\geq 30$	$\leq 7$	$\leq 140$	200	6,0	1,6	1,5	C
47T-3032ANL	2:2:1:1	5	$\geq 30$	$\leq 5$	$\leq 140$	120	4,6	1,6	1,5	A
47T-3034ANL	1:1:1:1	5	$\geq 30$	$\leq 5$	$\leq 120$	120	1,6	1,6	1,5	A

Part Number

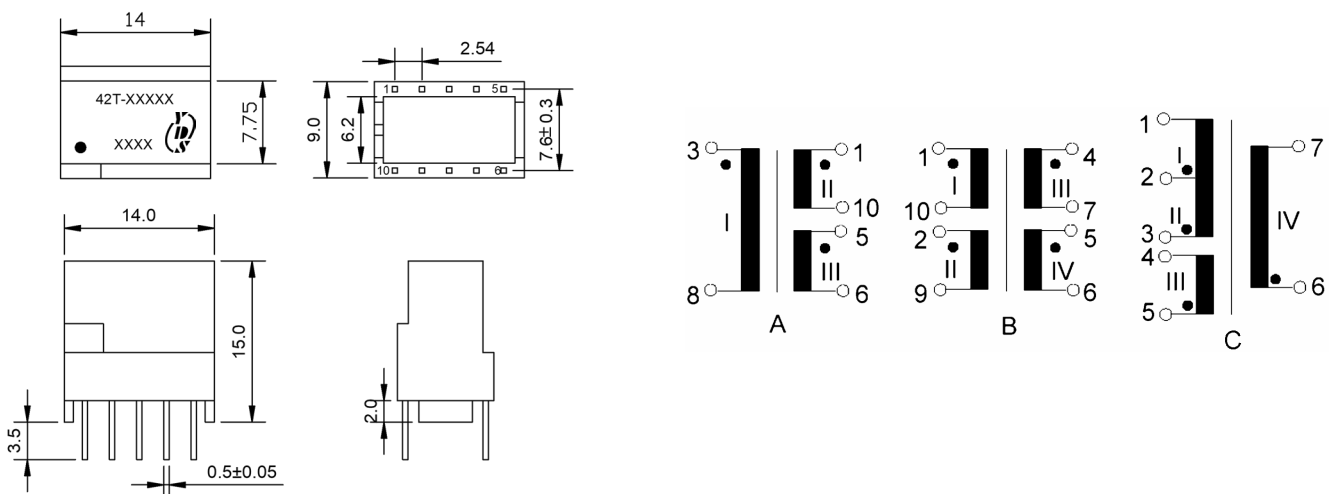
44T	-	304	6	B	NL
A		B	C	D	E

- A : Series
- B : Inductance
- C : Sequence id
- D : Schematic
- E : RoHS Version

Connections

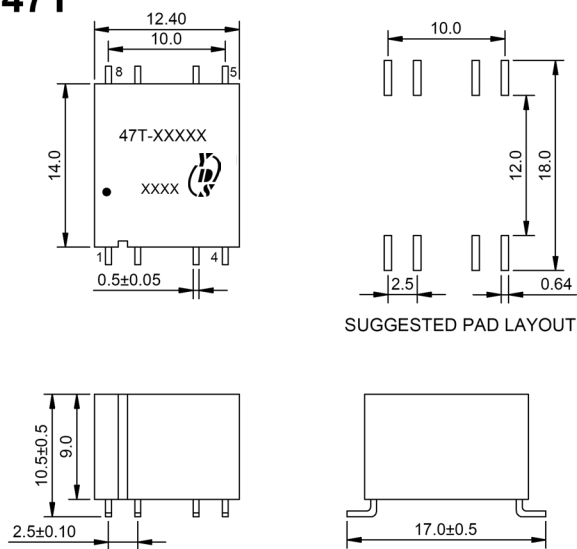


**42T**

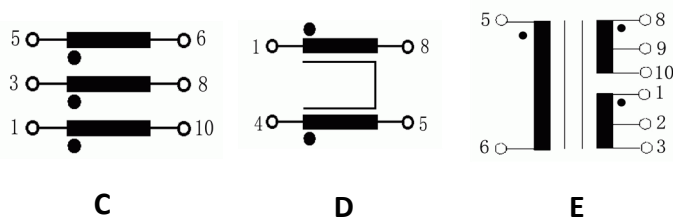
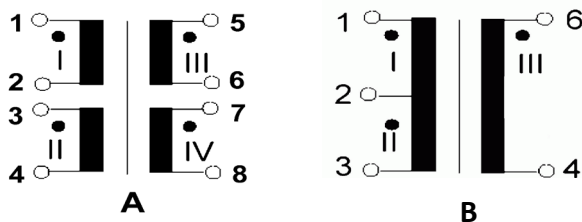


Connections

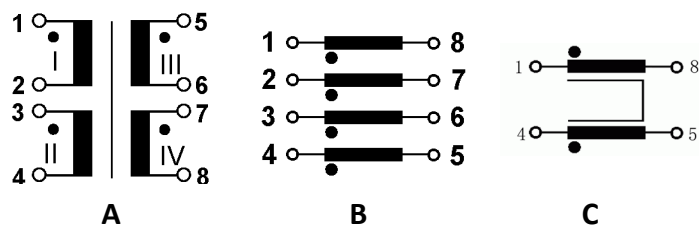
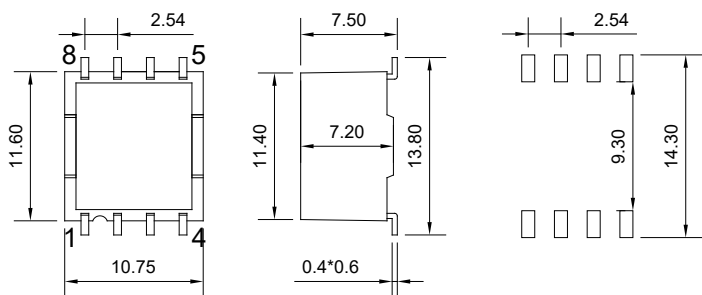
47T



SUGGESTED PAD LAYOUT



47TS



Dimensions: mm Unless otherwise specified, all tolerances are ±0.25