

FEATURES:

- Available in Tape & Reel format
- SMT product available with or without LEDs
- Internal magnetics: 100% electrically tested for HI-POT & continuity
- Internal magnetics options available
- Meets or exceeds IEEE 802.3i/u standard for 10/100Base-T
- Minimum 2250 VDC isolation per IEEE 802.3 requirement
- Designed to withstand IR reflow temperatures up to 245°C
- Recognized by UL 60950-1



YUAN DEAN SCIENTIFIC



RJ45 Jack
49F SERIES

With Magnetics
Surface Mount
Single Port
10/100 Base-T
TAB Up



Electrical Specifications@25°C-Operating Temperature -40°C to 85°C

Part Number	Turns Ratio		LEDs	Insertion Loss TX/RX (dB MAX)	Return Loss @100Ω±15Ω (dB TYP)			Cross talk (dB MIN)	Hipot (Vdc)
	TX	RX	L/R	1-100 MHz	1-30 MHz	30-60 MHz	60-100 MHz	1-100 MHz	0.5mA/2Sec
49F-12011GYDZ2NL	1CT:1CT	1CT:1CT	G/Y	-1.2	-16	-12	-10	-30	2250

www.yds.com.tw

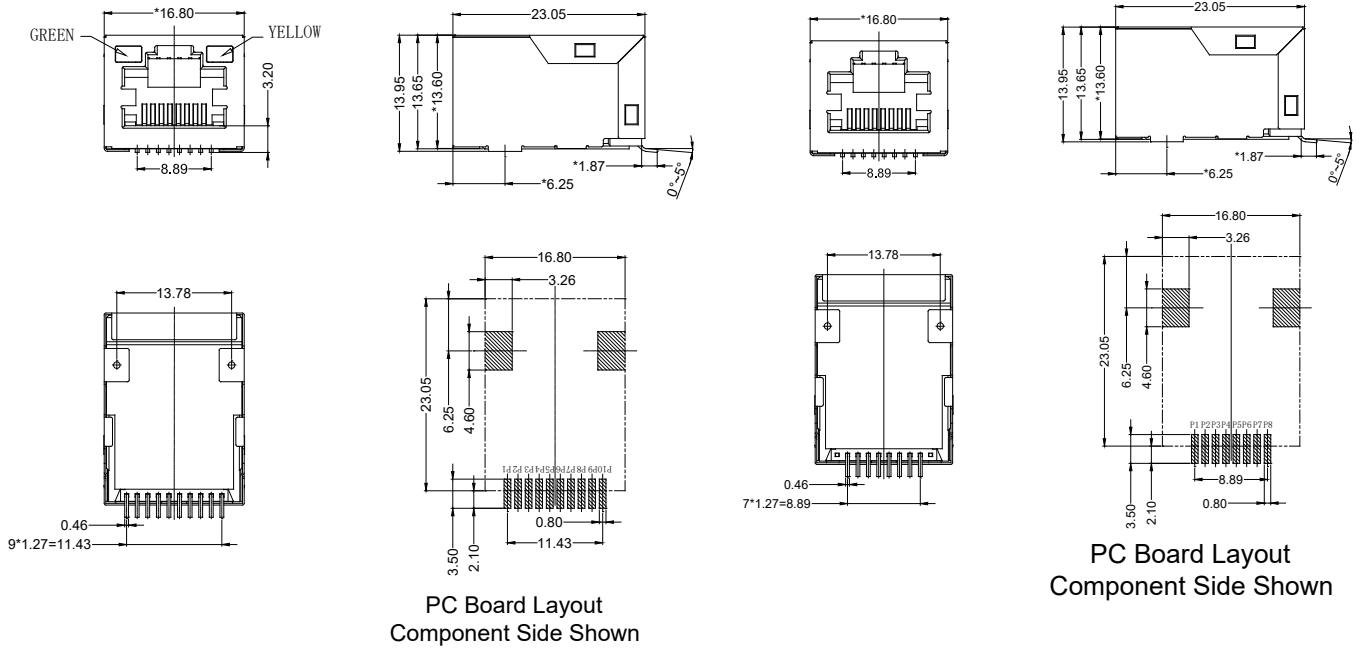

TEL : 886-6-3842899

FAX : 886-6-3843288

E-MAIL: ydsweb@yds.com.tw

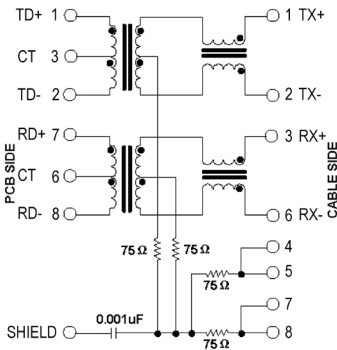
Rev: 2 2022/05/16

Mechanical and Dimension

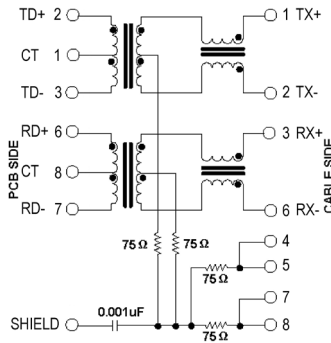


Schematics

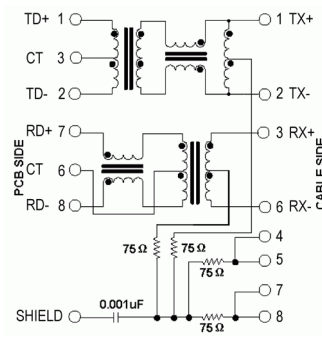
49F-1201



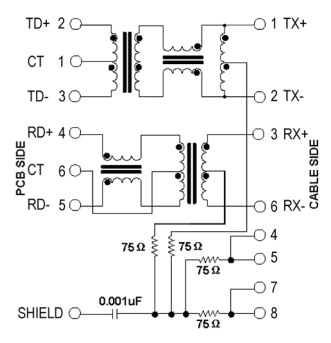
49F-1202



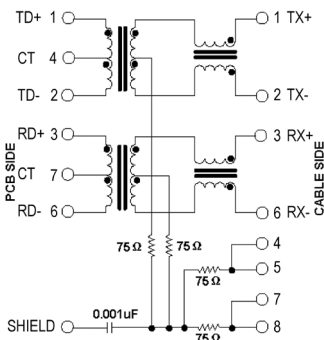
49F-1203



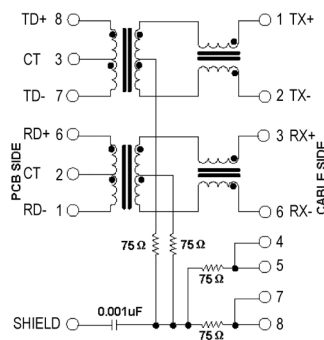
49F-1204



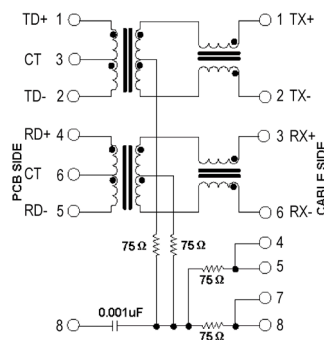
49F-1205



49F-1206



49F-1207



49F-1208

