

FEATURES:

- Magnetic designs to support every PHY
- Meet or exceed IEEE 802.3 and ANSI X3.263 standards including 350uH min OCL with 8mA bias
- Minimum 1500Vrms isolation per IEEE 802.3 requirement

YUAN DEAN SCIENTIFIC



RJ45 Jack

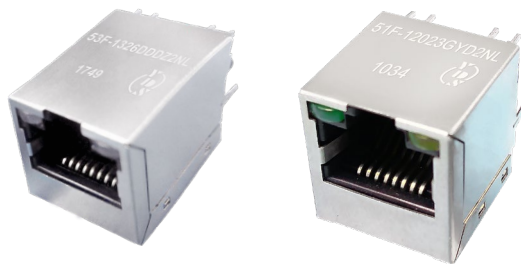
51F/53F(1G) SERIES

With Magnetics

1000 Base-T

TAB Up

Vertical (180°)



Electrical Specifications@25°C-Operating Temperature 0°C to 70°C

Part Number	Turns Ratio (±3%)		LEDs (L/R)	Insertion Loss (dB MAX)	Return Loss (dB MIN @100Ω±15Ω)				Crosstalk (dB MIN)			CDMR (dB MIN)	DCMR (dB MIN)	Hipot (VDC)
	TX	RX			0.1-100 MHz	0.1-30 MHz	30-60 MHz	60-100 MHz	0.1-30 MHz	30-60 MHz	60-100 MHz			
51F-1305GYD2NL	1CT:1CT	1CT:1CT	G/Y	-1.0	-18	-16	-10	-40	-35	-30	-30	-30	-30	1500
53F-1330GYD2NL	1CT:1CT	1CT:1CT	G/Y	-1.0	-18	-16	-10	-40	-35	-30	-30	-30	-30	1500

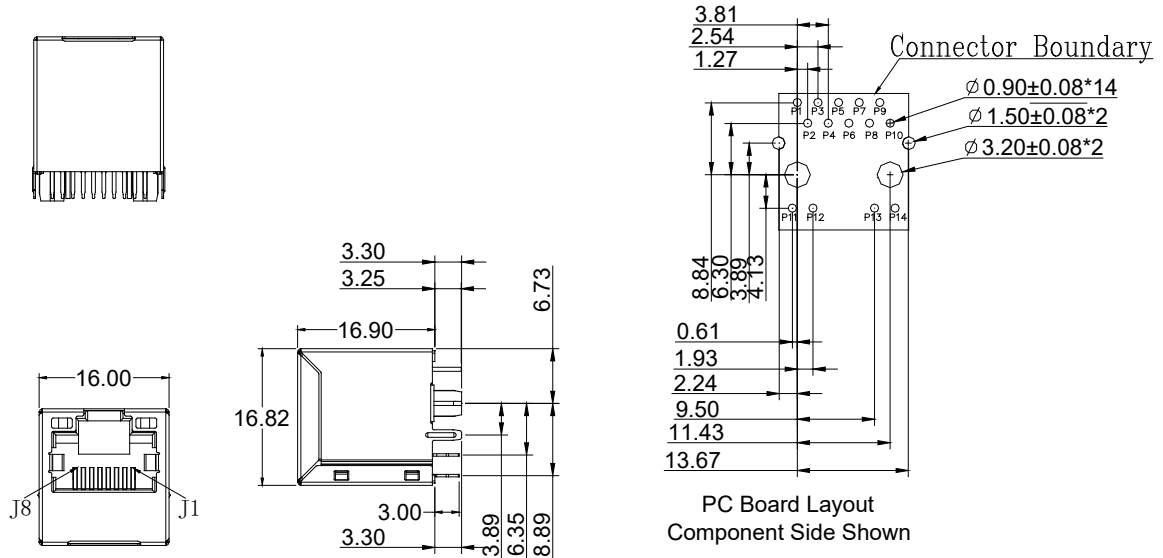
Electrical Specifications @25°C-Operating Temperature -40°C to 85°C

Part Number	Turns Ratio (±2%)		LEDs (L/R)	Insertion Loss (dB TYP)	Return Loss (dB TYP @100Ω±15Ω)				Crosstalk (dB TYP)			Common Mode Rejection (dB TYP)		Hipot (Vrms)
	TX	RX			0.3-100 MHz	1-10 MHz	30 MHz	60-80 MHz	1-10 MHz	30-60 MHz	60-100 MHz	1-50 MHz	50-130 MHz	
51F-13101GYDZ2NL	1CT: 1CT	1CT:1CT	G/Y	-1.2	-18	-16	-12	-30	-30	-30	-30	-20	1500	
53F-1305GYDZ2NL	1CT:1CT	1CT:1CT	G/Y	-1.2	-18	-16	-12	-30	-30	-30	-30	-20	1500	

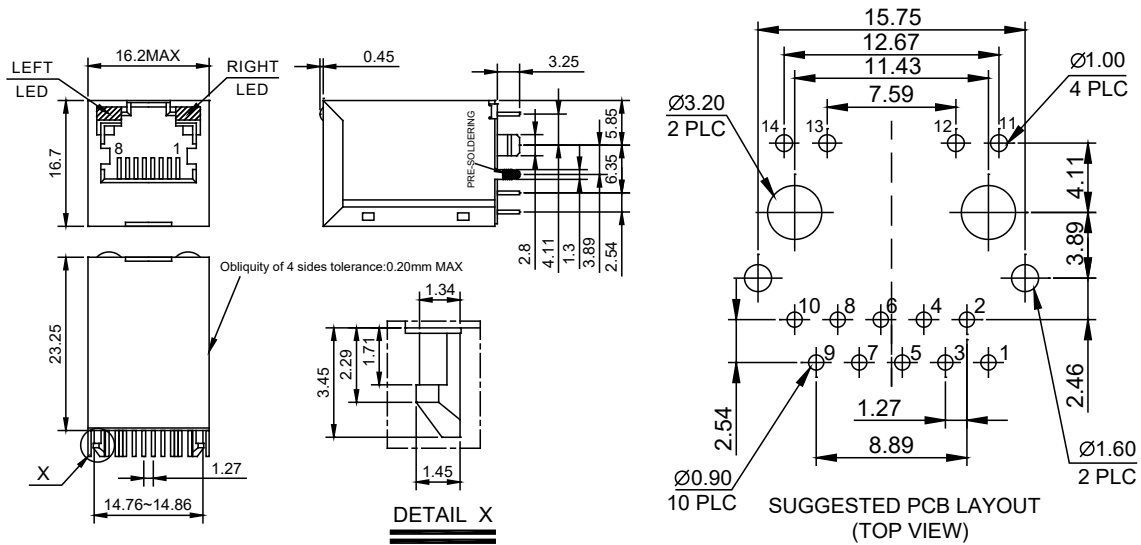


Mechanical

51F



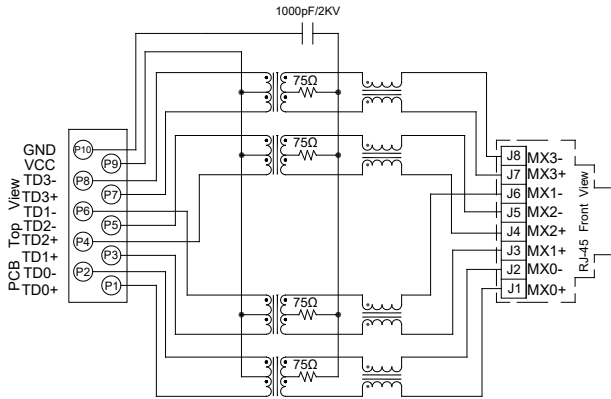
53F



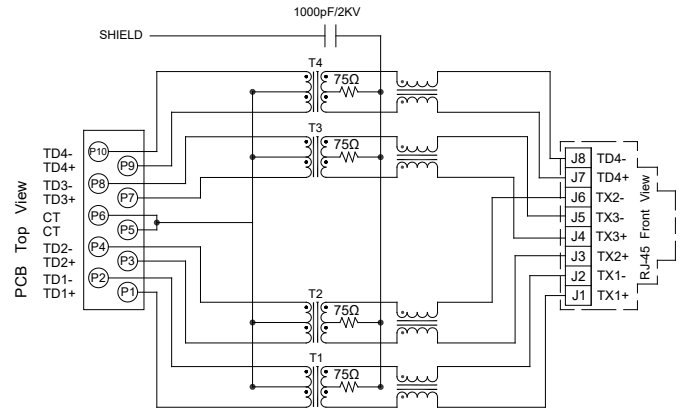
UNIT: mm Unless otherwise specified, all tolerances are ± 0.25

Schematic

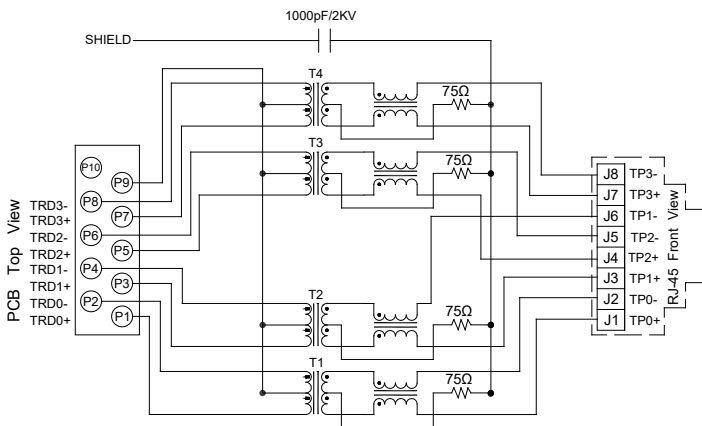
51F-1305



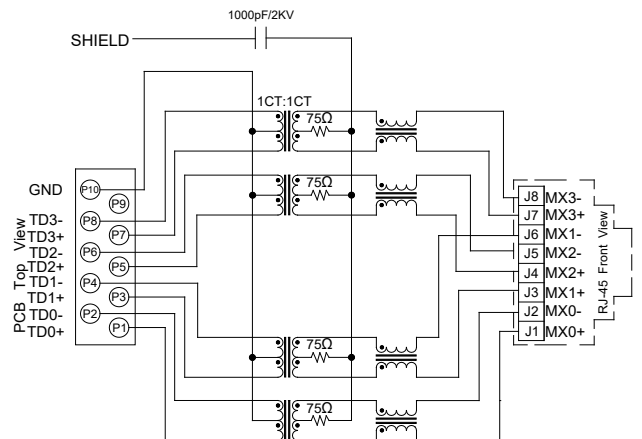
51F-1310



53F-1305



53F-1330



LED Configuration



Standard LED	Wavelength	Forward*V(MAX)	TYP
Green	565nm	2.5v	2.2v
Yellow	585nm	2.5v	2.1v

With a forward current of 20mA