

FEATURES:

- Magnetic designs to support every PHY
- Meet IEEE 802.3af standards with 350mA
- Meet IEEE 802.3at standards with 720mA including 350uH min OCL with 8mA bias
- Minimum 1500Vrms isolation per IEEE 802.3 requirement
- Designed for 100/1000 base transmission over UTP-5 cable
- Size same as RJ-45 modular jack to save PCB board Space
- Recognized by UL 60950-1



YUAN DEAN SCIENTIFIC



RJ45 Jack

56F-14XX SERIES

With Magnetics

Single Port

100/1000 Base-TX

PoE & PoE+

TAB Up

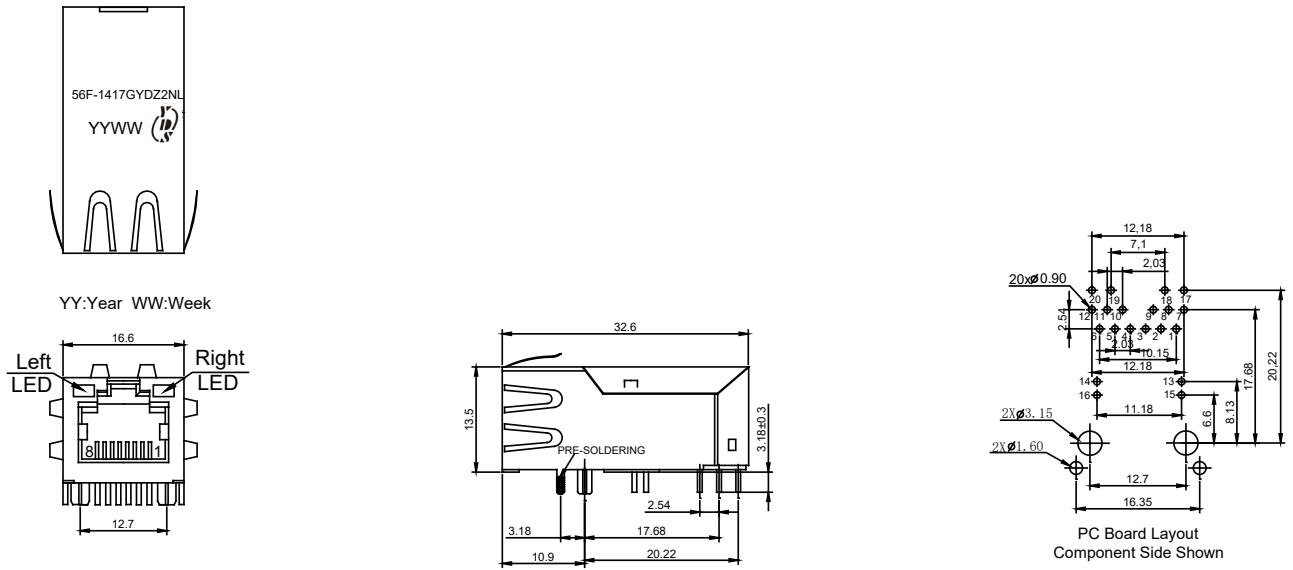


Electrical Specifications@25°C-Operating Temperature -40°C to 85°C

Part Number	Turns Ratio Pri:Sec. ±5%	EMI Fingers	LED (L/R)	Insertion Loss (dB TYP)				Return Loss (dB min @100 Ω)			Crosstalk (dB TYP.)			Common Mode Rejection (dB TYP.)		POE Current	Hipot (V _{DC} min)
				1-100 MHz	1-10 MHz	30 MHz	60-80 MHz	1-40 MHz	30-60 MHz	60-100 MHz	1-50 MHz	50-130 MHz					
56F-1417GYDZ2NL	1CT:1CT	YES	G/Y	-1.0	-20	-16	-12	-40	-35	-30	-30	-20	720mA	2250			



Mechanical and Dimension



UNIT: mm Unless otherwise specified, all tolerances are ± 0.25

Schematics

56F-1417

