

FEATURES :

- 2:1 Wide Input Voltage
- Efficiency to 80%
- 1500Vdc Isolation
- MTBF: > 1,500,000 hrs
- Operating Temperature: -40°C to +85°C

Specifications typical at TA=25°C, nominal input voltage and rated output current unless otherwise specified

| Part Number | Input Voltage | Output Voltage | Output Current | Efficiency |
|---------------|---------------|----------------|----------------|------------|
| | Vdc | Vdc | mA | %TYP |
| 66D-12S05RNNL | 9-18 | 5 | 1000 | 75 |
| 66D-12S12RNNL | 9-18 | 12 | 470 | 80 |
| 66D-12S15RNNL | 9-18 | 15 | 400 | 80 |
| 66D-12D12RNNL | 9-18 | ±12 | ±230 | 80 |
| 66D-12D15RNNL | 9-18 | ±15 | ±190 | 80 |
| 66D-24S05RNNL | 18-36 | 5 | 1000 | 75 |
| 66D-24S12RNNL | 18-36 | 12 | 470 | 80 |
| 66D-24S15RNNL | 18-36 | 15 | 400 | 80 |
| 66D-24D12RNNL | 18-36 | ±12 | ±230 | 80 |
| 66D-24D15RNNL | 18-36 | ±15 | ±190 | 80 |
| 66D-48S05RNNL | 36-72 | 5 | 1000 | 80 |
| 66D-48S12RNNL | 36-72 | 12 | 470 | 80 |
| 66D-48S15RNNL | 36-72 | 15 | 400 | 80 |
| 66D-48D12RNNL | 36-72 | ±12 | ±230 | 80 |
| 66D-48D15RNNL | 36-72 | ±15 | ±190 | 80 |

Input Specifications

| Parameters | Conditions | Min | Typ | Max | Units |
|---------------|------------|-----|-----|-----|-------|
| Voltage Types | | | | 2:1 | |
| Filter | Capacitor | | | | |

Output Specifications

| Parameters | Conditions | Min | Typ | Max | Units |
|---------------------------------|----------------------|-----|-----|------|-------|
| Voltage Tolerance | | | | ±2 | % |
| Short Circuit Protection | Continuous | | | | |
| Line Regulation | | | | ±0.5 | % |
| Load Regulation | Single | | | ±0.5 | % |
| Load Regulation | Dual | | | ±2.0 | % |
| Ripple & Noise | BW=DC To 20MHz | | | 100 | mVp-p |
| Transient response setting time | 50% load step change | | 350 | | us |

YUAN DEAN SCIENTIFIC



DC-DC Converter

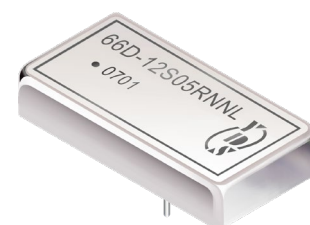
66D SERIES

5Watt 1.5KV Isolated

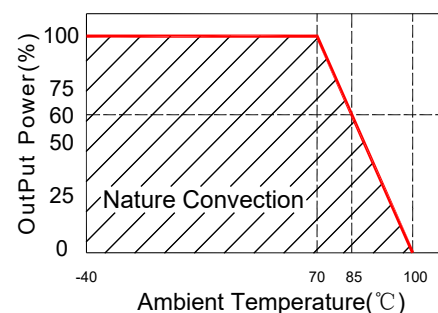
2 : 1 Input Voltage Range

Single & Dual Output

2" x 1"



Temperature Derating Graph



www.yds.com.tw



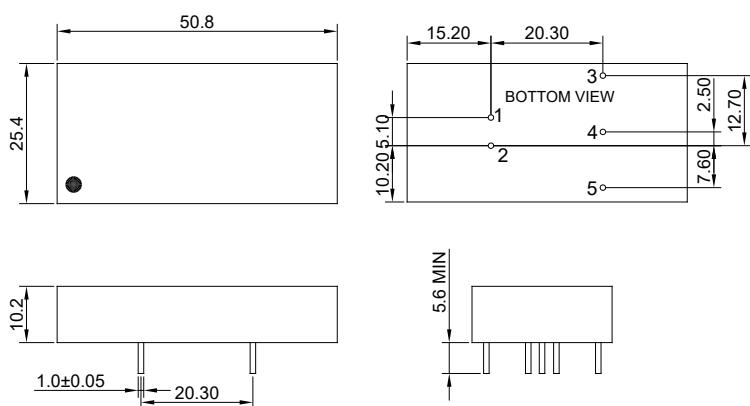
TEL : 886-6-3842899 FAX : 886-6-3843288
E-MAIL : ydsweb@yds.com.tw

Rev:2 2018/10/11

General Specifications

| Parameters | Conditions | Min | Typ | Max | Units |
|-----------------------|--|----------------|------|-----|-------|
| Isolation Resistance | 500Vdc | 1000 | | | MΩ |
| Switching Frequency | | | 200 | | KHz |
| Operating Temperature | | -40 | | 85 | °C |
| Humidity | Non Condensing | | | 95 | % |
| Cooling | Free air Convection | | | | |
| Case material | Nickel Coated with Non-Conductive Base | | | | |
| Weight | | | 36.5 | | g |
| Dimensions | | 50.8x25.4x10.2 | | | mm |

Markings and Dimensions



UNIT : mm Unless otherwise specified, all tolerances are ±0.25

PIN Connection

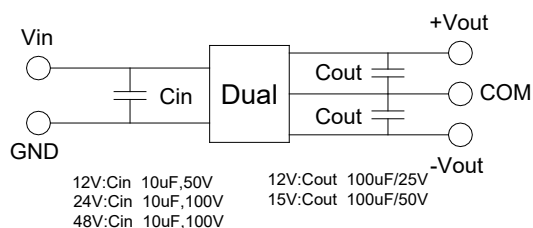
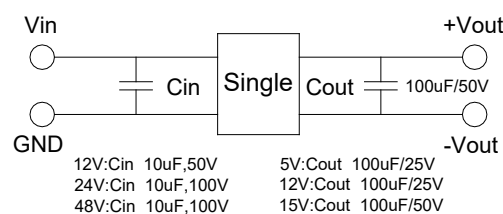
| Pin | 1 | 2 | 3 | 4 | 5 |
|--------|------|------|-------|--------|-------|
| Single | +Vin | -Vin | +Vout | NO PIN | -Vout |
| Dual | +Vin | -Vin | +Vout | COM | -Vout |

Part Number

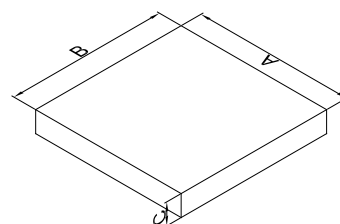
66D - 12 S 05 R N NL
 A B C D E F G

A:Series
 B:Input Voltage
 C:Single(S) Dual(D)
 D:Output Voltage
 E:Regulated(R)
 F:Package
 G:RoHS Version

Recommended Test Circuit



Packaging



| Size(mm) | | |
|----------|--------|-------|
| A | B | C |
| 210.00 | 210.00 | 30.00 |

