

**FEATURES :**

- Universal Input 90~264VAC
- High Efficiency Up To 90%
- Protection: Short Circuit /Over load/ Over Voltage
- Fully Encapsulated Plastic Case
- 3 Years Warranty
- ROHS Compliant

Specifications typical at TA=25°C, nominal input voltage and rated output current unless otherwise specified

Part Number	Output Wattage	Output Voltage	Output Current	Ripple & Noise	Efficiency
	(W)	(VDC)	(mA)	(mV) max(Note)	
GA25D-S03	16.5	3.3	5000	100	80
GA25D-S05	20.0	5	4000	100	82
GA25D-S06	24.0	6	4000	100	82
GA25D-S07	21.0	7	3000	100	83
GA25D-S08	24.0	8	3000	100	84
GA25D-S09	22.5	9	2500	100	84
GA25D-S10	25.0	10	2500	150	86
GA25D-S12	25.0	12	2100	150	86
GA25D-S13	26.0	13	2000	150	86
GA25D-S14	26.0	14	1850	150	86
GA25D-S15	26.0	15	1750	150	86
GA25D-S16	26.0	16	1625	150	86
GA25D-S18	26.0	18	1450	150	87
GA25D-S24	26.4	24	1100	240	88
GA25D-S27	27.0	27	1000	240	88
GA25D-S36	27.0	36	750	240	88
GA25D-S48	27.0	48	560	240	90

**Input Specifications**

Parameters	Conditions	Min	Typ	Max	Units
Rated Input Voltage	Vo, Io nom		100~240		Vac
Voltage Range	Vo, Io nom	AC in	90	264	Vac
		DC in	120	370	Vdc
Line Frequency	Vi nom, Io nom	47	50/60	63	Hz

YUAN DEAN SCIENTIFIC



AC-DC Converter

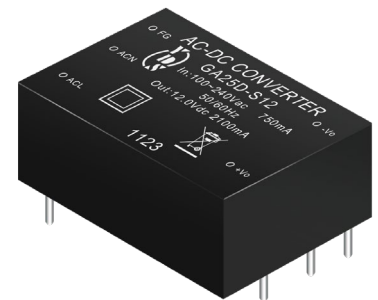
GA25D SERIES

20~27Watt

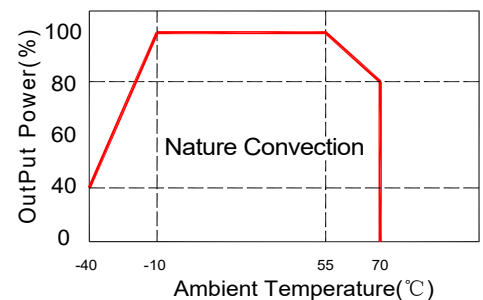
3KVac Isolated

Single Output

Module



**Temperature Derating Graph**



Output Specifications

Parameters	Conditions	Min	Typ	Max	Units
Output Voltage Accuracy	Vi nom, Io nom	3.3V...9V Models		±3	%
	nom	10...48V Models		±2	%
Minimum Load	Vi nom	0			%
Line Regulation	Io nom, Vi min...Vi max		±0.2		%
Load Regulation	Vi nom, Io min...Io nom	3.3V Models		±1.0	%
		5...48V Models		±0.5	%
Transient Recovery time	Vi nom, Io nom = ↔→0.5 Io nom		1000		us
Protection	Over load	Above 110% rated output power <b>Protection type:</b> Recovers automatically after fault condition is removed			
	Short circuit	Recovers automatically after fault condition is removed			
	Over Voltage	120%-150% rated output Voltage <b>Protection type:</b> Zener diode clamp			

**Note :** Ripple & noise is measured by using 20 MHz bandwidth, measured with a 47uf paralleled with a high-frequency 0.47uf capacitor across each output by full load.

General Specifications

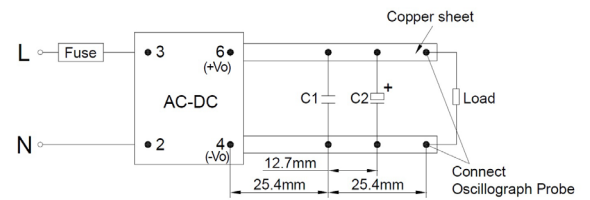
Parameters	Conditions	Min	Typ	Max	Units
Switching Frequency	Vi nom, Io nom		65		KHz
Isolation Voltage	Input / Output	3KVac/ 5mA/5Secs			
Isolation Resistance	Input / Output, @500Vdc	100			MΩ
Operating Temperature	Refer to Temperature Derating Graph	-40		+70	°C
Storage Temperature	Non Operational	-40		+105	°C
Relative Humidity	Vi nom, Io nom			95	% RH
Safety Standards	Design refer to UL62368-1, IEC62368-1				
EMI Conduction & Radiation	EN55032, CLASS B (See Fig. 1 for recommended circuit)				
EMS Immunity	EN61000 (See Fig. 1 for recommended circuit)				
Dimension	L69.85x W48.01 x H23.37mm				
Cooling	Free air convection				

Part Number

GA25D - S 05  
A B C

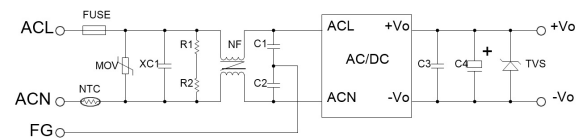
- A : Series
- B : Single Output
- C : Output Voltage

Parallel Lines Measure



C1: Ceramic capacitor, 1uF; C2: Electrolytic capacitor, 10uF

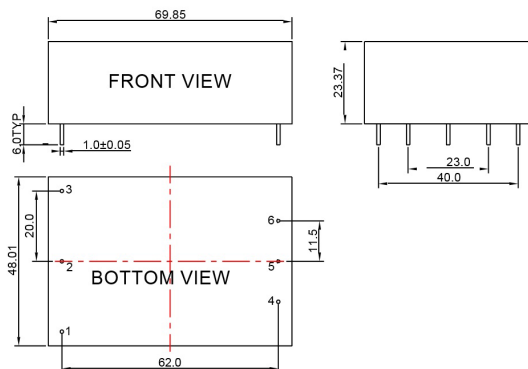
EMC solution-recommended circuit



NOTE:  
MOV: 10D471K  
XC1: 0.22uF/275V, X2  
R1/R2: 750K, 1206  
NF: UU9.8, 30mH  
C1/C2: 470pF/250V, Y2  
NTC: MOSP005M-5  
FUSE: 3.15A/250V

Fig. 1

Markings and Dimensions



PIN	Model
1	NC
2	ACN
3	ACL
4	-Vo
5	NO PIN
6	+Vo

Unit:mm Unless otherwise specified, all tolerances are ±0.50