

**FEATURES :**

- Wide Input Voltage 90 to 264VAC,47 to 63Hz
- High Efficiency Up To 82%
- Protection: Short Circuit /Over current/Over voltage
- Design Refer To EMI EN55022 & EMS EN55024 standard
- Power Factor Correction
- 3 Years Warranty
- ROHS Compliant

Specifications typical at TA=25°C, nominal input voltage and rated output current unless otherwise specified

Part Number	Output Wattage	Constant Current Region	Constant Current	Efficiency
	(W)	(V)	(mA)	%(TYP)
LB8A-260-150	3.9	18.0-26.0	150	80
LB8A-120-300	3.6	6.0-12.0	300	80
LB8A-180-300	5.4	9.0-18.0	300	81
LB8A-260-300	7.8	18.0-26.0	300	82
LB8A-200-300	6.0	15.0-20.0	300	80
LB8A-140-320	4.5	12.0-14.0	320	80
LB8A-240-320	7.7	20.0-24.0	320	82
LB8A-120-350	4.2	6.0-12.0	350	80
LB8A-180-350	6.3	9.0-18.0	350	81
LB8A-095-500	4.8	5.0-9.5	500	80
LB8A-120-500	6.0	6.0-12.0	500	81
LB8A-120-700	8.4	6.0-12.0	700	82
LB8A-045-700	3.2	3.0-4.5	700	80
LB8A-090-700	6.3	4.5-9.0	700	81

**Input Specifications**

Parameters	Conditions	Min	Typ	Max	Units
Rated input voltage	Vo,lo nom		100~240		Vac
Voltage Range	Vo,lo nom	90		264	Vac
Line Frequency	Vi nom,Ionom	47	50/60	63	Hz
Inrush Current	Io nom	Vi:115VAC		10	A
		Vi:230VAC		20	A
Power Factor	PF> 0.50 / 115Vac,230Vac at full load				

**Output Specifications**

Parameters	Conditions	Min	Typ	Max	Units
Isolation Voltage	Input / Output		3KVac/ 5mA/5Secs		
Current Accuracy	Vi=110-240Vac		±3	±5	%
Operating Temperature	Operating at Vi nom, lo nom	-20		+50	°C

**Protection**

Protection	Over Current	>108% rated output power(Constant current limiting) Protection type: Recovers automatically after fault condition is removed
	Over Voltage	120%-150% rated output Voltage Protection type: Recovers automatically after fault condition is removed
	Short circuit	Recovers automatically after fault condition is removed

YUAN DEAN SCIENTIFIC



LED Bulbs Drivers

LB8A SERIES

3~8Watt

3KVac Isolated

PFC

Non-Dimmable

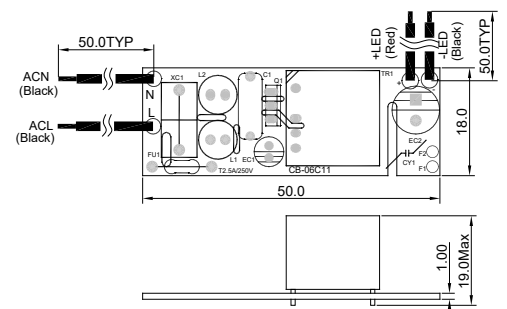


**Part Number**

LB8A	-	120	-	300
A		B		C

- A : Series
- B : Output Voltage
- C : Output Current

**Markings and Dimensions**



UNIT:mm Unless otherwise specified,all tolerances are ±0.5

www.yds.com.tw



TEL: 886-6-3842899 FAX: 886-6-3843288  
E-MAIL: ydsweb@yds.com.tw

Rev:0 2018/07/12