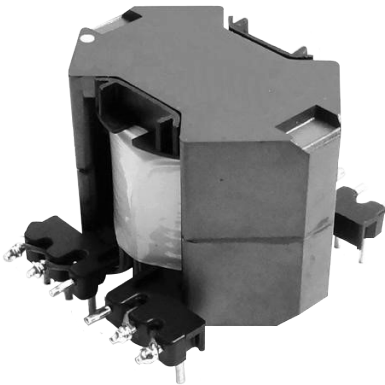


Description:

- Inverter transformer is a kind of work in DC to AC transformer under the module
- Used in solar energy, vehicle power supply system, uninterruptible power supply, etc.
- Flyback topology structure
- Operate at 57kHz with 20~55 VDC input
- Rectified sine wave output
- Maximum Power:100W
- Hipot voltage:
- 3000Vrms,one minute isolation primary to secondary
- 1500Vrms,one minute isolation windings to core
- Custom designs available

Other:

- Operating temperature range: -40°C to +85°C
- Storage temperature range: -40°C to +85°C
- RoHS Compliant version is available



YUAN DEAN SCIENTIFIC



Inverter Transformers

RM14 SERIES

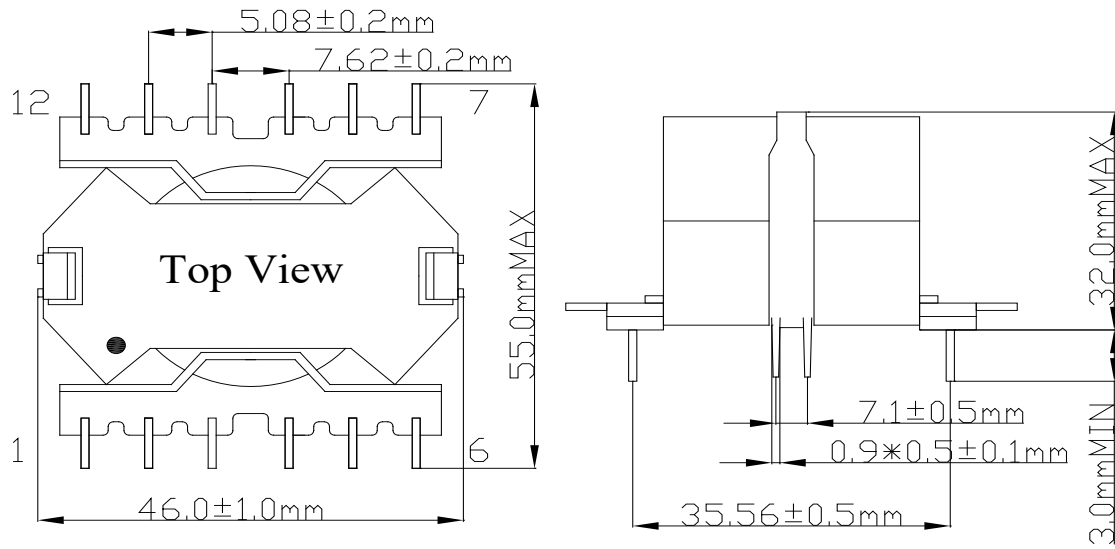
100W (Max)

**Electrical Specifications**

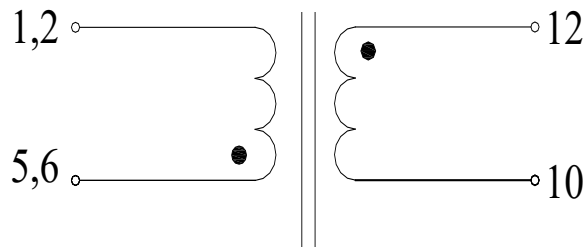
Part Number	Turn Ratio Pri:Sec	L ① (uH±10%)	Input	LK ② max(uH)	Output Voltage	DCR ③ max(Ohms)		L at Ipk(10A) ④ min(uH)
						Pri	Sec	
14RM-5501ENL	1:7	55.0	20~55 VDC,57KHZ	2.95uH	230VAC,100W	0.0475	0.36	44.0
14RM-5502ENL	1:4	55.0	20~55 VDC,57KHZ	2.75uH	110VAC,100W	0.0480	0.19	38.5

- ① L(NOM)=Nominal Inductance is for pri winding, measured at 150KHz,1.0Vrms
 ② Leakage inductance measured at 150KHz,1.0Vrms between Pri other pins shorted
 ③ DCR for the primary is with windings connected in parallel
 ④ Ipk is the peak current drawn at minimum input voltage

Mechanicals and Dimensions



Schematics



Primary windings to be connected
In parallel on the PC board.